

Description:

Rainwater filter for installation inside or on the tank. The VF1 Combi has the cleaned water outlet at the bottom of the filter. Whilst the dirt is washed away sideways, the bottom cleaned water outlet position makes installing the filter in tanks very easily and practically. Where used before the tank, the Combi gives a high degree of flexibility to the angle of direction of the cleaned water outlet pipe, feeding to the rainwater tank. The VF1 Combi can also be fitted directly to the top surface of the rainwater tank, using a seal we can provide. This means it is acting as a second turret to the tank.

Same functionality as 3P Volume Filter VF1.

Connection capacity according to DIN 1986 for roof areas up to 350 m².

Max. Flow Rate Sieve insert 1,5 l/sec = 5,4 m³ cleaned water per hour.

Height difference between inlet and outlet 300 mm.

The cleaned water can be used in washing machines, toilet flushing and garden watering, in homes, in commerce, in public buildings and in industry.

The filter has to be cleaned depending on the contamination 1 - 2 times during the year.



How it works:

1. As water arrives the level builds up and is equally distributed across the cascade.
2. Pre cleaning through the cascades. Largest dirt particles are led across the primary filter cascades directly to the sewer.
3. Pre filtered water then flows over the secondary filter sieve (mesh size 0,65 mm). Due to the special mesh structure of the sieve, any dirt washes directly into the sewer which means the filter is self cleaning, with very low maintenance.
4. Cleaned water flows to the cistern through the outlet at the bottom of the filter.
5. Dirt goes to the sewer.



Technical Data:

Filter according to DIN 1989-2, Typ C

Connection inlet: 2 x DN 110
 Outlet into tank: DN 110
 Outlet into sewer: DN 125

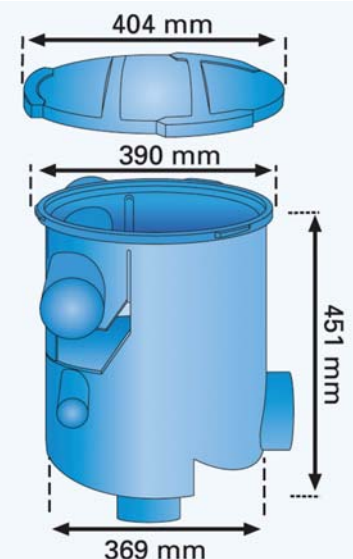
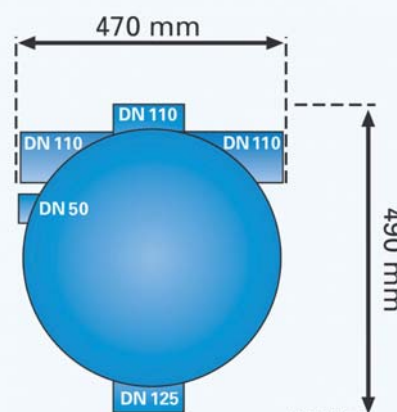
Height difference between rainwater inlet and outlet 300 mm.

Housing material: Polyethylen

Filter cartridge: Stainless steel 1.4301
 Mesh size: 0,65 mm

Material Cascade insert: Polyethylen

Weight: 6,2 kg

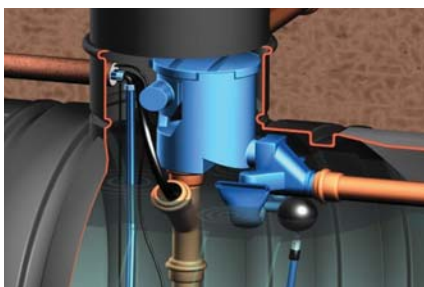


Example 1:

3P Volume Filter VF1 combi with telescopic extension stacked on top of a plastic tank. Example of installation from England and Australia.

**Example 2:**

3P Volume Filter VF1 combi installed inside a shaft of a plastic tank. Special installation with Overflow Siphon Mono.

**Example 3:**

Installation inside the shaft.
Installation with 3P Rapid Connection.

**Text for invitation of tenders:**

Pos.	Quantity	Article	Price in €
1.1	_____	3P Volume Filter VF1 Combi Filter for installation in tanks Inlet rainwater 2 x DN 110, Outlet into tank DN 110, Outlet into sewer DN 125. Height difference between rainwater inlet and outlet 300 mm. Connection capacity according to DIN 1986 for roof areas up to 350 m².	_____
1.2	_____	Telescopic extension for 3P Volume Filter VF1 Plastic (PE) shaft for the installation of the 3P Volume Filter VF1. Telescopic extension can be directly connected with the 3P Volume Filter VF1 with a bayonet fitting.	_____
1.3	_____	3P Removal Handle for VF1 For filter removal in deeper installations.	_____

Accessories 1:

3P Telescopic Extension Art.-Nr. 1000560
Plastic shaft for the installation directly into the ground. Material Polyethylen.

**Accessories 2:**

Removal Handle Art.-Nr. 1000550
For filter removal in deeper installations.
Length: 50 cm
Material: Stainless steel

**Observations:**

Packing unit:
m³-Carton: 8 pieces
Pallet: 16 pieces
EAN: